

# ZERO DROP SOLAR CHARGE CONTROLLER (12/24V)

Rev 1.01 - 01/07/2015

Doc.No. SE\_2015\_ZDSC01

## Features:-

- \* ZD Solar Charge Controller is a solar charger with features to connect any HUPS/ Inverter and utilize the solar power when available.
- \* The charger supplies the solar current to batteries till they are fully charged. Thereafter it limits the current to the batteries and keeps them at float charge.
- \* Temperature compensation provided to enhance battery life.
- \* Full protection against battery reverse and solar PV reverse connection with LED indicators.
- \* Converts existing Inverter into Solar Powered one.

## Specifications: -

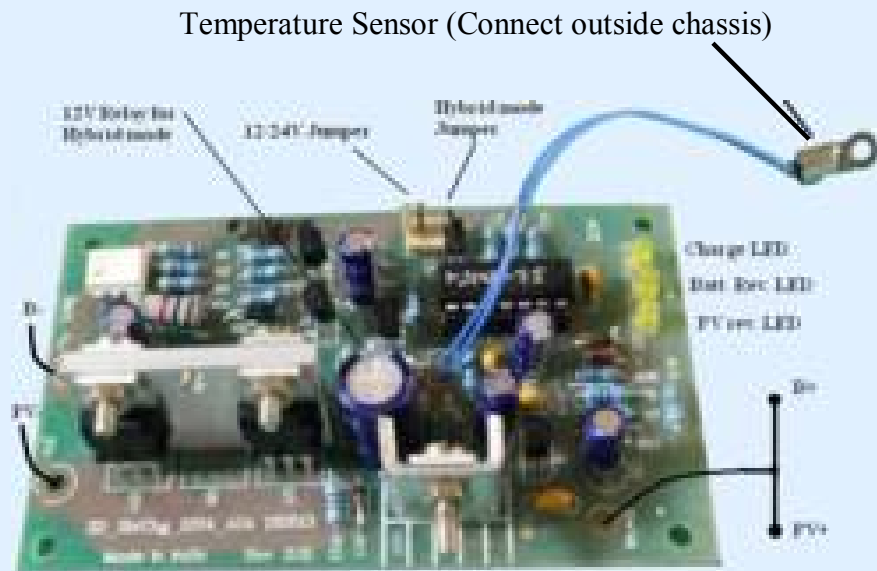
- 1) Battery voltage – 12 / 24 V (Jumper selectable – CN1).
- 2) PV Voltage – Max. 25V for 12V and 50V for 24V.
- 3) Battery boost voltage – 13.5 to 14.4 V / 27 to 28.8 V
- 4) Battery float voltage – 13.1 to 13.6 V / 26.2 to 27.2 V
- 5) Maximum charging current – 10, 20, 40 Amp.

## Indicators:-

- 1) Charging LED – Slow blinking – boost mode.  
Fast blinking – absorption mode.  
On – Float mode.

## Wiring and PCB details :-

- \* Connect battery +ve to PV panel +ve.
- \* Connect battery –ve and PV panel –ve as shown on the adjacent PCB fig (i).
- \* Connect a 12V relay at CN3 if a HUPS/Inverter is to be used. Mains in to the HUPS/Inverter is to be connected through the relay as shown in fig. (ii).
- \* Jumper CN1 – Open – 12V system  
Short – 24V system
- \* Jumper CN2 – Open – mains sense at 11.5/23 V.  
Short – mains sense at 11.8/23.6 V.



**Srishti Electronics**

New Delhi - 110015

Ph. – 9810094997. email – dghai65@gmail.com