

# SOLAR CHARGE CONTROLLER WITH DC OUTPUT(12/24V / 10 AMP)

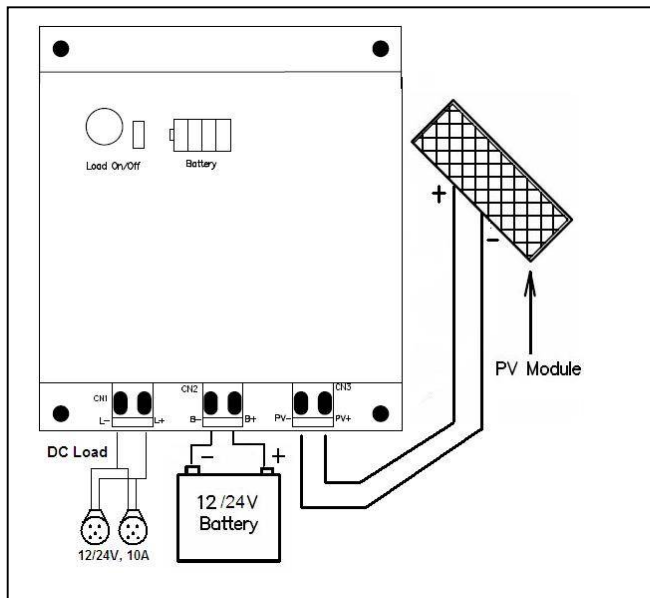
Rev 1.01 - 01/10/2011

Doc. No. -2015\_SLRCHG\_LD\_10\_1224\_M01

## Features and Specifications :-

PWM SOLAR CHARGER	DC LOAD OUTPUT
Regulates the power of the PV panel into rechargeable battery.	One DC 12/24V, 10 Amp. rated output to run DC Loads.
Keeps the battery in charged condition and avoids overcharge.	DC output overload and short circuit protected.
Protection against reverse polarity of both battery and PV panel.	Battery Condition Bar Graph Indicator.
Charges 12/24V batteries with upto 10Amp current .	Battery Low cut-off, to protect battery from deep discharge.
Battery Level Bar Graph Indicator.	Based on reliable PIC Micro Microcontroller.

## Wiring Diagram :-



## Operating Instructions : -

- \* Assemble the charge controller as shown in the diagram.
- \* It is important to match the solar panel's current rating to the battery's amp-hour rating (C).
- \* If we take maximum battery charging current as C/15, then a 150AH battery should have a solar panel rating of no greater than 10 Amp.
- \* Connect the solar panel first observing correct polarity. Then connect the Battery -ve and battery +ve.
- \* Put the Solar Panel in the Sun as per the instructions of the Solar Panel manufacturer.
- \* The LED bar graph will display the battery condition.
- \* Connect DC load observing correct polarity.
- \* Output can be switched on/off by Load Switch.
- \* If overloaded Load LED will blink.
- \* The wires running from the Solar Panel to the charge controller should be at least 4 Sq. mm. in diameter and as short as possible , to minimize the voltage drop.

**Srishti Electronics**

New Delhi - 110015

Ph. – 9810094997. email – dghai65@gmail.com